

TECHNICAL DATA

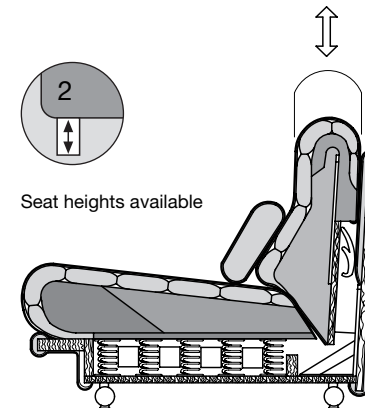
# ROLF BENZ 6500

---

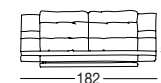
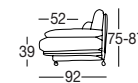


**ROLF  
BENZ**

- Downy-soft cushions with a filling of foam rods and polyester fibres
- Back made of polyurethane foam, covered with a mat to achieve a down-like effect, which has chambers worked into it and is filled with foam rods and polyester fibres
- Additional high-back comfort through adjustable back cushion
- Body covered in polyurethane foam
- Seat in polyurethane foam, built up in coordinated layers varying in height and firmness covered with a downy-soft mat worked into ticking chambers and filled with foam rods and polyester fibres
- Coil spring unit
- Wooden inner frame
- Leg versions: matt chrome plated or chrome gloss  
Optionally mounted with an additional distance of 20 mm, creating a seat height of 41 cm.



! A high-quality, especially casual upholstery that forms waves/leaves indentations that are typical of the material - this waviness may even occur in new condition. All measurements are approximate.



**ROLF  
BENZ**